

BRIGGS & STRATTON

®

**2200
PSI**

Illustrated Parts List

Questions? Help is just a moment away!
Preguntas? La ayuda es justa un momento lejos!

Call: **Pressure Washer Helpline**

Llame: **Línea Directa del Lavadora a Presión**

1-800-743-4115 M-F 8-5 CT

Web: www.briggsandstratton.com

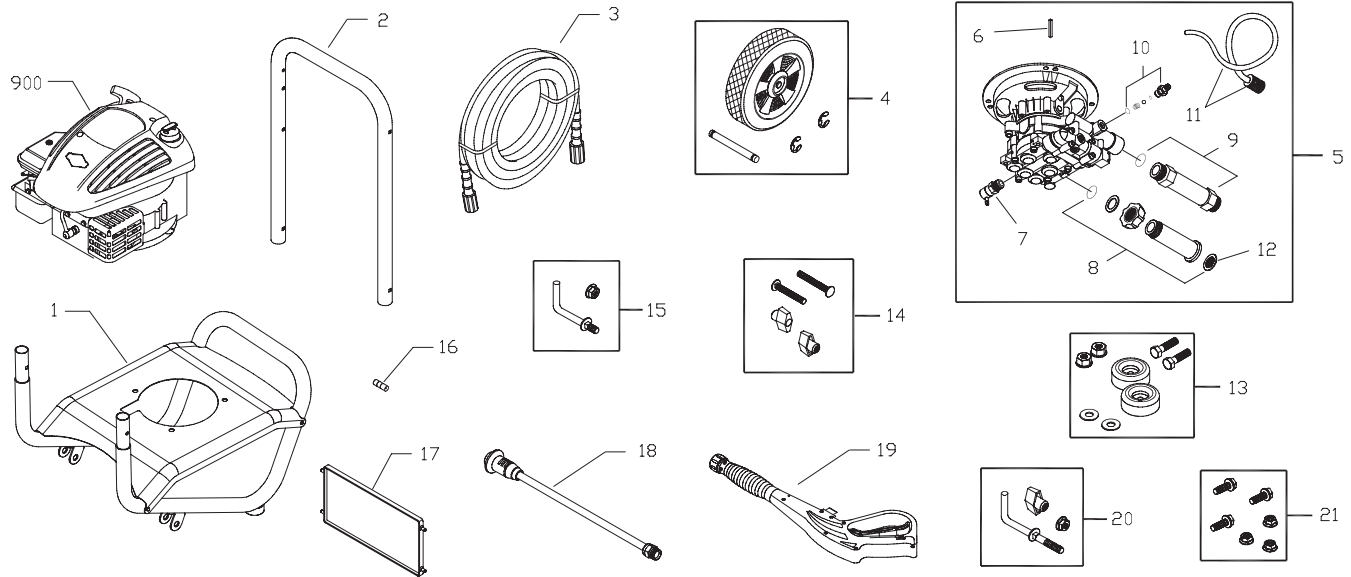
**Model / Modelo
020288**



**BRIGGS & STRATTON POWER PRODUCTS GROUP, LLC
JEFFERSON, WISCONSIN, U.S.A.**

Manual No. 200338A
Revision A (08/13/2008)

Exploded Views and Parts List



Item	Part #	Description
1	200382GS	BASE, w/Mounts
2	S194030GS	HANDLE
3	196006GS	HOSE
4	194255GS	KIT, Wheel
	203873GS	Axle
	191050GS	E-Ring
5	197300GS	PUMP, Complete
6	23139GS	Key
7	194298GS	Valve, Thermal Relief
8	190632GS	Kit, Water Inlet
9	190634GS	Kit, Outlet
10	190593GS	Kit, Chemical Injection
11	189971GS	Kit, Chemical Hose
12	B2384GS	Filter, Inlet
13	192310GS	KIT, Vibration Mount
14	B2203GS	KIT, Handle Connector
15	192309GS	KIT, Hook, Base
16	B1236CGS	ORFICE
17	200333GS	BILLBOARD, w/Decal

Item	Part #	Description
18	205015CGS	WAND, Adjustable
19	199117GS	GUN
20	194264GS	KIT, Hook, Handle
21	192525GS	KIT, Pump Mounting Hardware
900	§	ENGINE

Items Not Illustrated:

200338GS	MANUAL, Operator's
MS5573	MANUAL, Engine
200672GS	DECAL, Hearing
195015GS	KIT, Tag/Warning, Service
794693	DECAL, Warning
87815GS	GOGGLES
B3061BGS	OIL BOTTLE

Optional Accessories

6048	KIT, O-Ring Maintenance
6039	PUMP SAVER

§ - Contact Engine Manufacturer

Copyright © 2008 Briggs & Stratton Power Products Group, LLC. All rights reserved. No part of this material may be reproduced or transmitted in any form by any means without the express written permission of Briggs & Stratton Power Products Group, LLC.